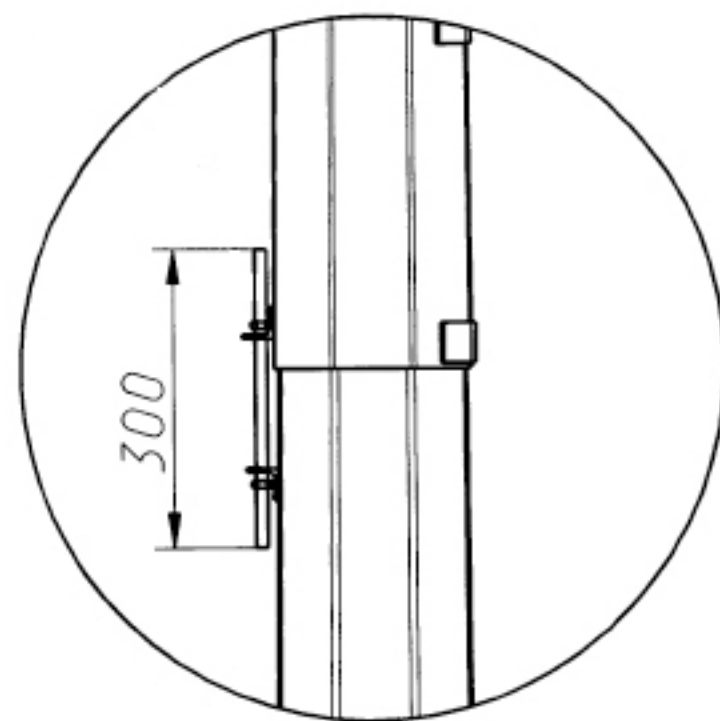
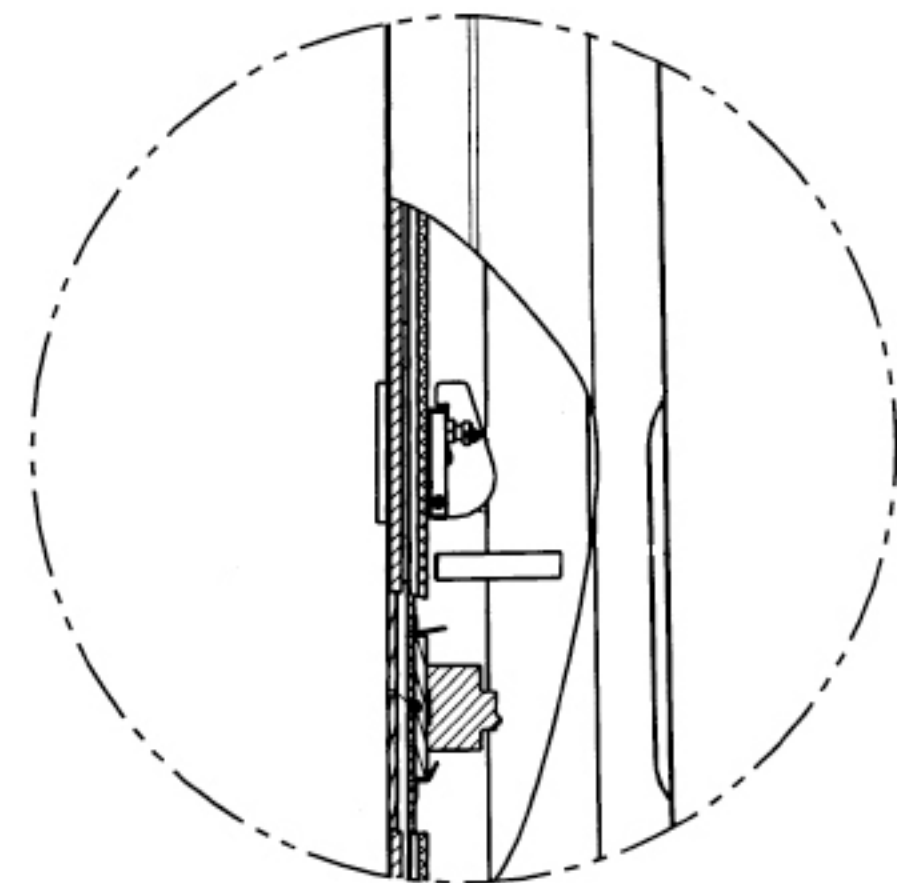


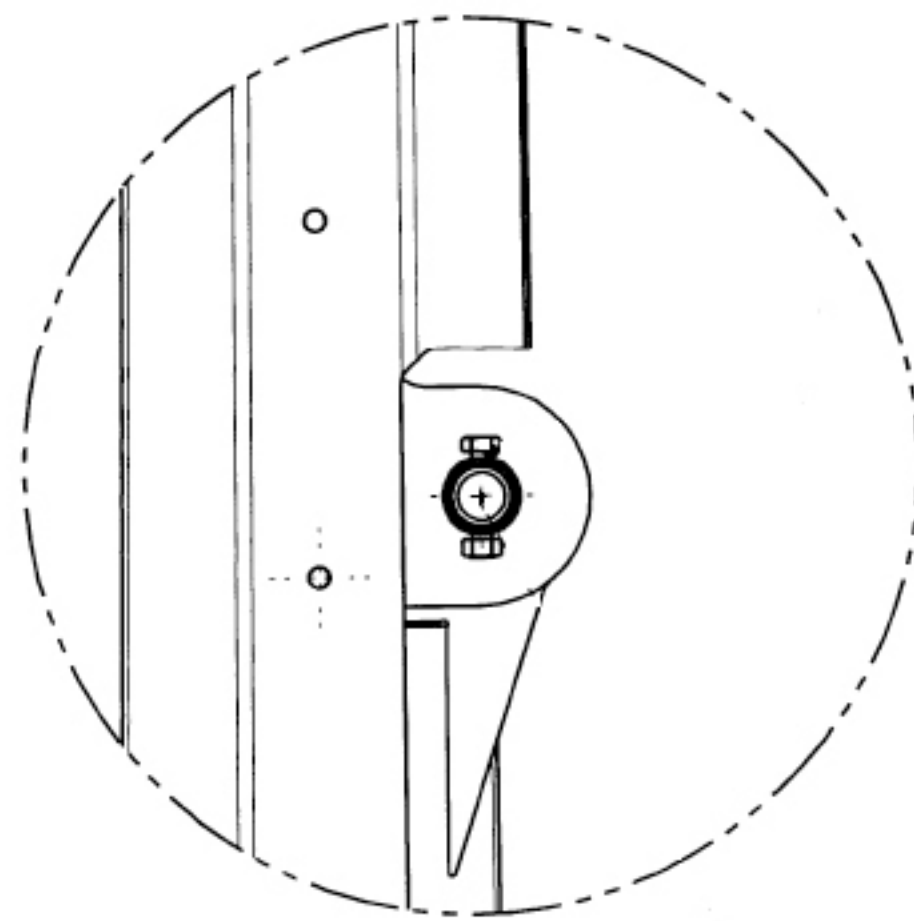
*B (1:10)*



*C (1:10)*



*A (1:5)*



120

ТАНС.17.004.000